



- Manual Loader : type A, B or D
- Auto/Manual station : type C
- Input : 4~20 mA, 0~1 K ohms
- Isolated 4~20 mA output
- 85~265 V AC SMPS
- Accuracy : ± 1% typical
- Input fail indication

TABLE 1 : FUNCTION TYPE

Type	Input	Output	Mode
A	None	4~20 mA	Manual
B	0~1 K feedback	Relays	Manual
C	4~20 mA	4~20 mA	Auto / Manual
D	4~20 mA feedback	4~20 mA	Manual

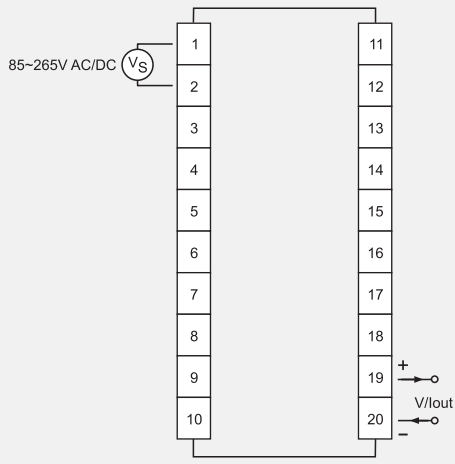
**SPECIFICATIONS** All specifications at ambient of 25 °C, unless specified otherwise

<b>FUNCTION TYPE</b>	Factory set See Table 1	<b>INDICATION</b> <b>Display</b>	Upper : 4 digit, 7 segment 0.56" (14.2 mm) red LED display Lower : 4 digit, 7 segment 0.56" (14.2 mm) green LED display 2 LEDs for relay status
<b>INPUT</b>	0~1 K ohms 4~20 mA 250 Ω, internally provided	<b>Status indication</b>	Tactile, 3 keys
Resistance Linear input Load resistance for 4~20 mA input Transmitter supply Range limits Accuracy Temperature coefficient of accuracy	22 V DC, nominal, 30 mA max See Table 2 See Table 2 0.5% of span / 25 °C	<b>OTHER</b> <b>Keyboard</b> <b>Enclosure construction</b>	Plug-in (circuit removable without affecting terminal wiring) 96(H) x 96(W) x 100(D) Panel mount 92 x 92 mm a) 85~265 V AC, 50/60 Hz b) 20~35 V DC (factory option) 3 watts maximum
<b>OUTPUTS</b>	2 electromagnetic relays NO-C-NC 5A / 230V AC, resistive 12 V DC drive signal for external SSR	<b>Dimensions (in mm)</b> <b>Mounting</b> <b>Panel cutout</b> <b>Supply voltage</b>	0 ~ 50 °C
<b>Type B</b>		<b>Power consumption</b> <b>Operating ambient temperature</b> <b>Relative humidity</b>	Below 90%, non condensing
No. of relays Relay contact type Relay contact rating SSR drive			
<b>Types A, C, D</b>	4~20 mA isolated from input 600 ohms 1 KV AC / 1 minute		
Current output Maximum load for current output Mutual isolation between input/output/supply			

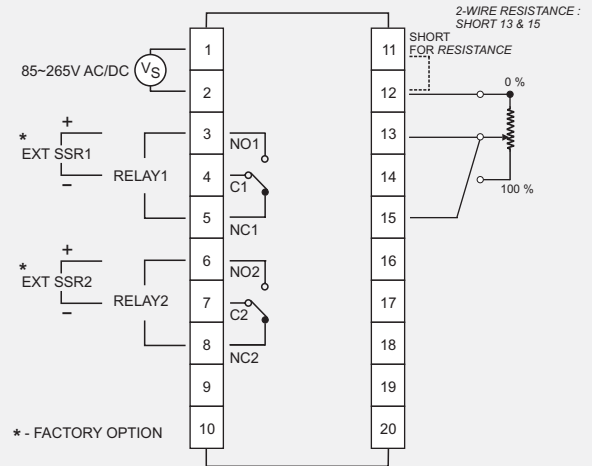
TABLE 2

INPUT	RANGE LIMITS (%)		RANGE IN WHICH ACCURACY IS SPECIFIED		TYPICAL ACCURACY AT 30 °C (%)	WORST CASE ACCURACY (%)
	LOW SCALE	HIGH SCALE	LOW SCALE	HIGH SCALE		
0~1 K ohms, 3-wire	0	100	0	100	± 1	± 2
4~20 mA	0	100	0	100	± 1	± 2

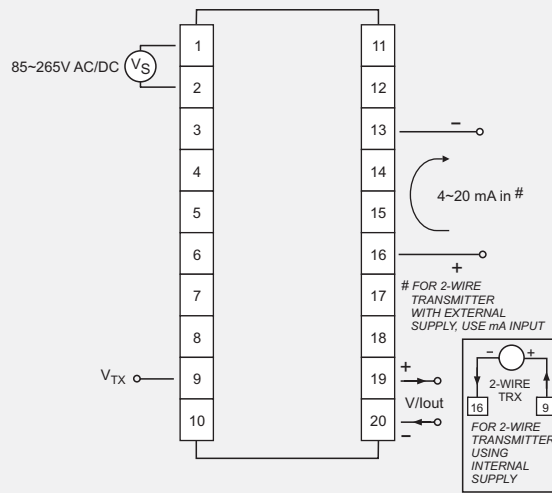
CONNECTION DIAGRAMS



TYPE A



TYPE B



TYPE C, D

www.beeinstruments.com