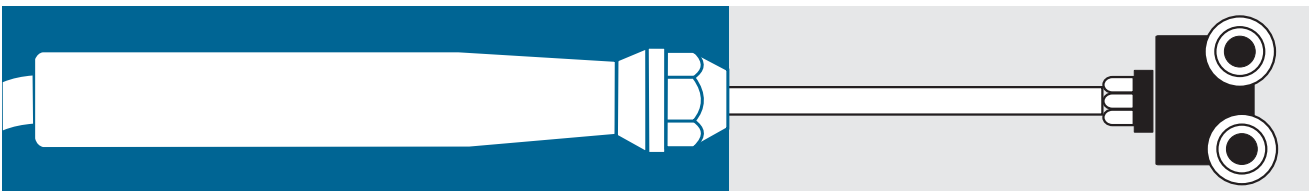
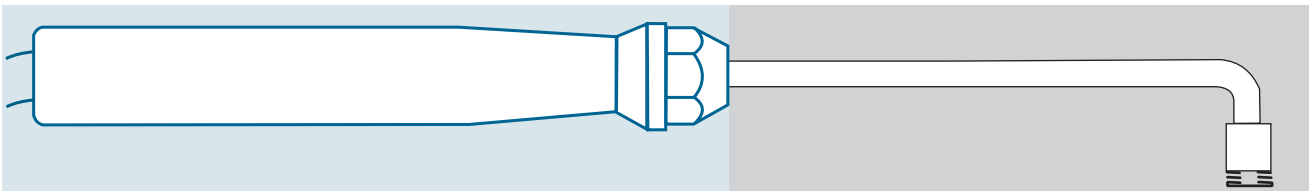
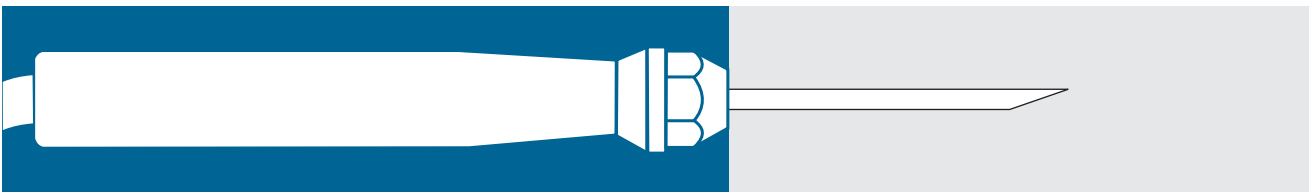
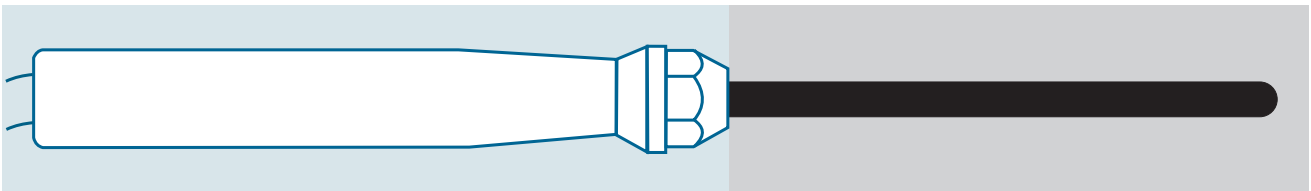
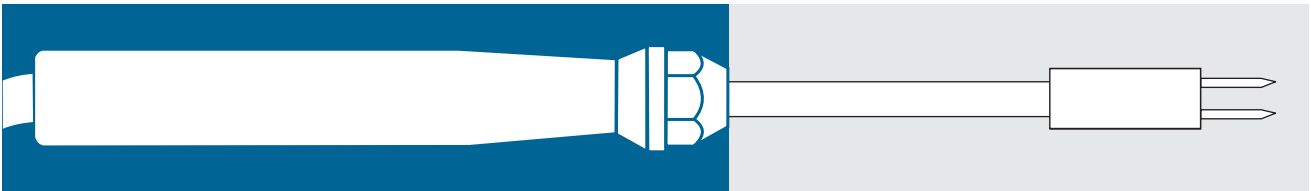
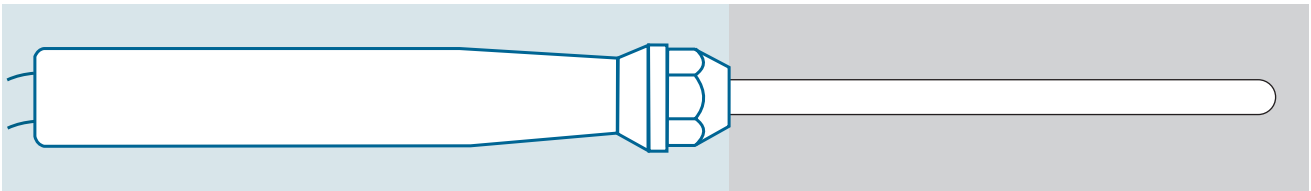
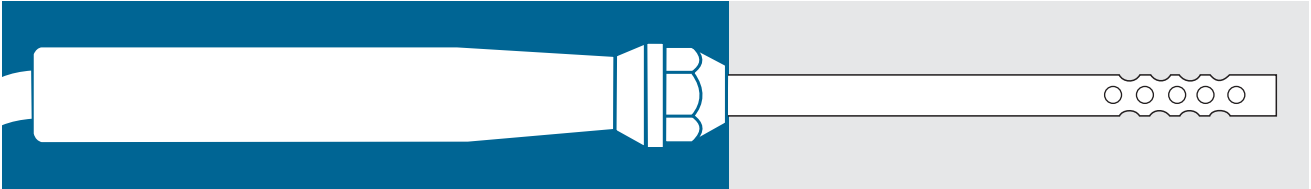
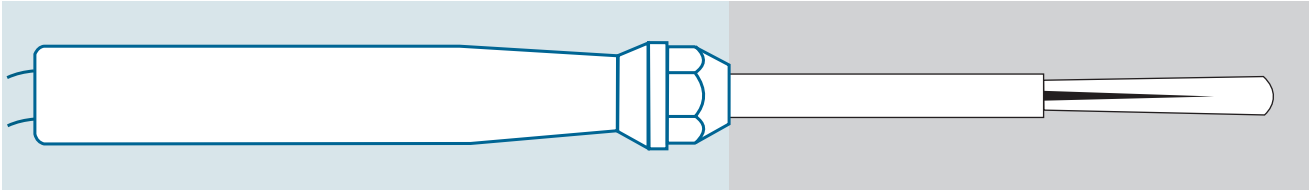











BEE

HANDLE PROBES FOR PORTABLE THERMOMETERS



RTD PROBES FOR PORTABLE THERMOMETERS

<p>Standard Immersion Probe</p>  <p>Pt100</p>	<p>TEMPERATURE RANGE</p> <p>0~250 °C</p>	<p>ORDER CODE</p> <p>BAC12001210</p>
<p>Standard Immersion Probe (MI)</p>  <p>Pt100</p>	<p>TEMPERATURE RANGE</p> <p>0~400 °C</p>	<p>ORDER CODE</p> <p>BAC13001210</p>
<p>Standard Immersion Probe (MI)</p>  <p>Pt100</p>	<p>TEMPERATURE RANGE</p> <p>-100~400 °C</p>	<p>ORDER CODE</p> <p>BAC13011210</p>
<p>Quick Response Immersion Probe (MI)</p>  <p>Pt100</p>	<p>TEMPERATURE RANGE</p> <p>0~400 °C</p>	<p>ORDER CODE</p> <p>BAC13021210</p>
<p>Teflon Coated Immersion Probe</p>  <p>Pt100</p>	<p>TEMPERATURE RANGE</p> <p>0~200 °C</p>	<p>ORDER CODE</p> <p>BAC12061210</p>
<p>Needle Probe</p>  <p>Pt100</p>	<p>TEMPERATURE RANGE</p> <p>0~200 °C</p>	<p>ORDER CODE</p> <p>BAC12081210</p>
<p>Prick Probe</p>  <p>Pt100</p>	<p>TEMPERATURE RANGE</p> <p>0~200 °C</p>	<p>ORDER CODE</p> <p>BAC12121210</p>
<p>Air Probe - 250 °C</p>  <p>Pt100</p>	<p>TEMPERATURE RANGE</p> <p>0~250 °C</p>	<p>ORDER CODE</p> <p>BAC12141310</p>
<p>Air Probe - 400 °C</p>  <p>Pt100</p>	<p>TEMPERATURE RANGE</p> <p>0~400 °C</p>	<p>ORDER CODE</p> <p>BAC12151310</p>

RTD handle probes are supplied with a 1 metre PVC cable.

RTD handle probes are supplied with a round shell 3-pin connector compatible with *BEE* Handheld Thermometers (HHPT 71, Unirad) as a standard.

THERMOCOUPLE PROBES FOR PORTABLE THERMOMETERS

Standard Immersion Probe



TC K

MAXIMUM TEMPERATURE

800 °C

ORDER CODE

BKC11101110

Used for air and liquid immersion measurements.

Quick Response Immersion Probe



TC K

MAXIMUM TEMPERATURE

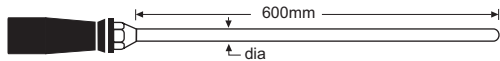
600 °C

ORDER CODE

BKC11021110

Small diameter and MI construction gives fast response in air and liquids.

High Temperature Immersion Probe



TC K

MAXIMUM TEMPERATURE

1150 °C

DIA

ORDER CODE

INCONEL 600 sheath and MI construction allows measurement in air and liquids up to 1150 °C. Not suitable for salt bath / molten metal / flue gas applications.

3mm

BKB11031110

4.5mm

BKB11051110

6mm

BKB11041110

8mm

BKB11011110

Teflon Coated Immersion Probe



TC K

MAXIMUM TEMPERATURE

200 °C

ORDER CODE

BKC11061110

Special TEFLON coating allows use in corrosive acids and alkalis. TEFLON coating : 0.5mm thick.

Needle Probe



TC K

MAXIMUM TEMPERATURE

600 °C

ORDER CODE

BKC11081110

Very small diameter MI thermocouple gives very fast response in air and liquids. Protective cap provided.

Prick Probe



TC K

MAXIMUM TEMPERATURE

400 °C

ORDER CODE

BKC11121110

For molten rubber, frozen food, etc. Heavy duty construction.

Air Probe



TC K

MAXIMUM TEMPERATURE

400 °C

ORDER CODE

BKC10141310

For air or gas in ducts, chambers, etc. Perforated shield prevents radiation heating. Very sensitive.

Leaf Surface Probe - 400 °C



TC K

MAXIMUM TEMPERATURE

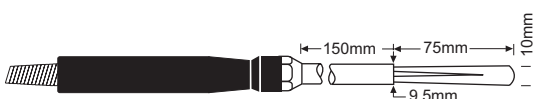
400 °C

ORDER CODE

BKC10181310

Low mass ensures fast response for measuring flat surfaces. Protective cap provided.

Leaf Surface Probe - 600 °C



TC K

TEMPERATURE RANGE

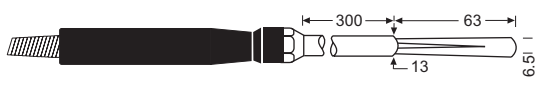
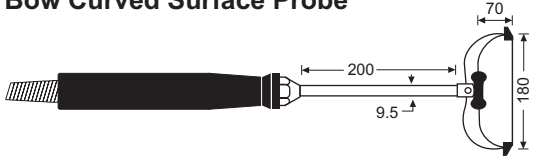
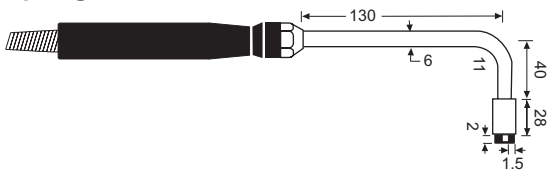
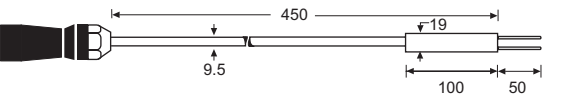
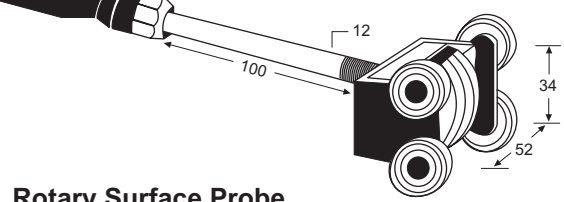
0~600 °C

ORDER CODE

BKC10211310

For flat surfaces up to 600 °C.

THERMOCOUPLE PROBES FOR PORTABLE THERMOMETERS

<p>Leaf Surface Probe - 800 °C</p>  <p style="text-align: right;">TC K</p>	<p>MAXIMUM TEMPERATURE</p> <p style="text-align: center;">800 °C</p>	<p>ORDER CODE</p> <p style="text-align: center;">BKC10201310</p>
<p>Bow Curved Surface Probe</p>  <p style="text-align: right;">TC K</p>	<p>MAXIMUM TEMPERATURE</p> <p style="text-align: center;">800 °C</p>	<p>ORDER CODE</p> <p style="text-align: center;">BKC10241310</p>
<p>Spring Surface Probe</p>  <p style="text-align: right;">TC K</p>	<p>MAXIMUM TEMPERATURE</p> <p style="text-align: center;">400 °C</p>	<p>ORDER CODE</p> <p style="text-align: center;">BKC10261310</p>
<p>Smithy Probe</p>  <p style="text-align: right;">TC K</p>	<p>MAXIMUM TEMPERATURE</p> <p style="text-align: center;">1200 °C</p>	<p>ORDER CODE</p> <p style="text-align: center;">BKC10281310</p>
<p>Rotary Surface Probe</p>  <p style="text-align: right;">TC K</p>	<p>MAXIMUM TEMPERATURE</p> <p style="text-align: center;">250 °C</p>	<p>ORDER CODE</p> <p style="text-align: center;">BKC10301310</p>

For flat surfaces upto 800 °C.

For static convex surfaces, rollers, etc.

For small surfaces such as electronic components. Its very low mass ensures quick response even on non-metals. Also available straight or with 45° bend. Protective cap provided.

For the temperature measurement of uneven metallic surfaces & ingots. Spring loaded elements ensure proper alignment and contact.

For moving plane surfaces and rotating convex as well as concave surfaces. Application details to be informed while ordering.

TC K (thermocouple) handle probes are supplied with a 1 metre coiled green PVC cable.
 TC K (thermocouple) handle probes are supplied with a round shell 3-pin connector compatible with *BEE* Handheld Thermometers (HHTC 71, Unirad) as a standard.
 These can also be supplied with miniature, flat-pin Quick-Disconnect connectors commonly used in thermometers of other makes.

www.beeinstruments.com

BEE INSTRUMENTS
 (Madhu Group)

1st Floor, Krishna Bldg., Shamrao Vithal Lane,
 off. Lamington Rd., Mumbai - 400007, India
 Mobile : + 91 98217 27104
 Tel : +91 22 23800783 / 23864484 / 23876707
 Fax : +91 22 2387 6729
 email : sales@beeinstruments.com
 website : www.beeinstruments.com